

CES-I-AR-U-C04-USA-119473 (ORDER NO. 119473)

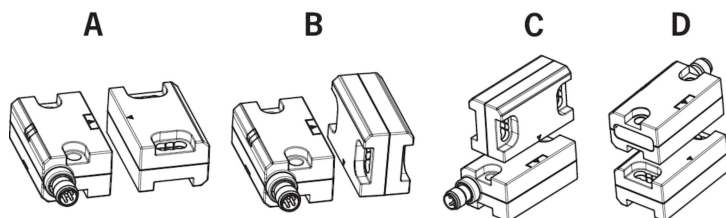
Non-contact safety switches CES-I-AR-.-C04-..., M12

- ▶ Safety switch with integrated evaluation electronics
- ▶ Up to 20 switches in series
- ▶ Short circuit monitoring
- ▶ 2 safety outputs (semiconductor outputs)
- ▶ Category 4/PL e according to EN ISO 13849-1
- ▶ Three active faces
- ▶ Connecting cable PUR, 1 m, plug connector M12, 8-core
- ▶ Unicode



Description

Installation position



Figure

Permissible installation position

Unicode evaluation

Each actuator is highly coded (unicode). The switch detects only taught-in actuators. Additional actuators can be taught-in. Only the last actuator taught-in is detected.

Category according to EN 13849-1

Due to two redundantly designed semiconductor outputs (safety outputs) with internal monitoring suitable for:

- ▶ Category 4/PL e according to EN 13849-1

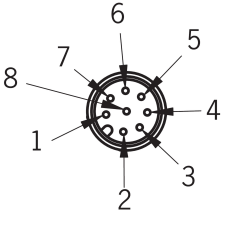
Important: To achieve the stated category according to EN ISO 13849-1, both safety outputs (FO1A and FO1B) must be evaluated.

LED indicator

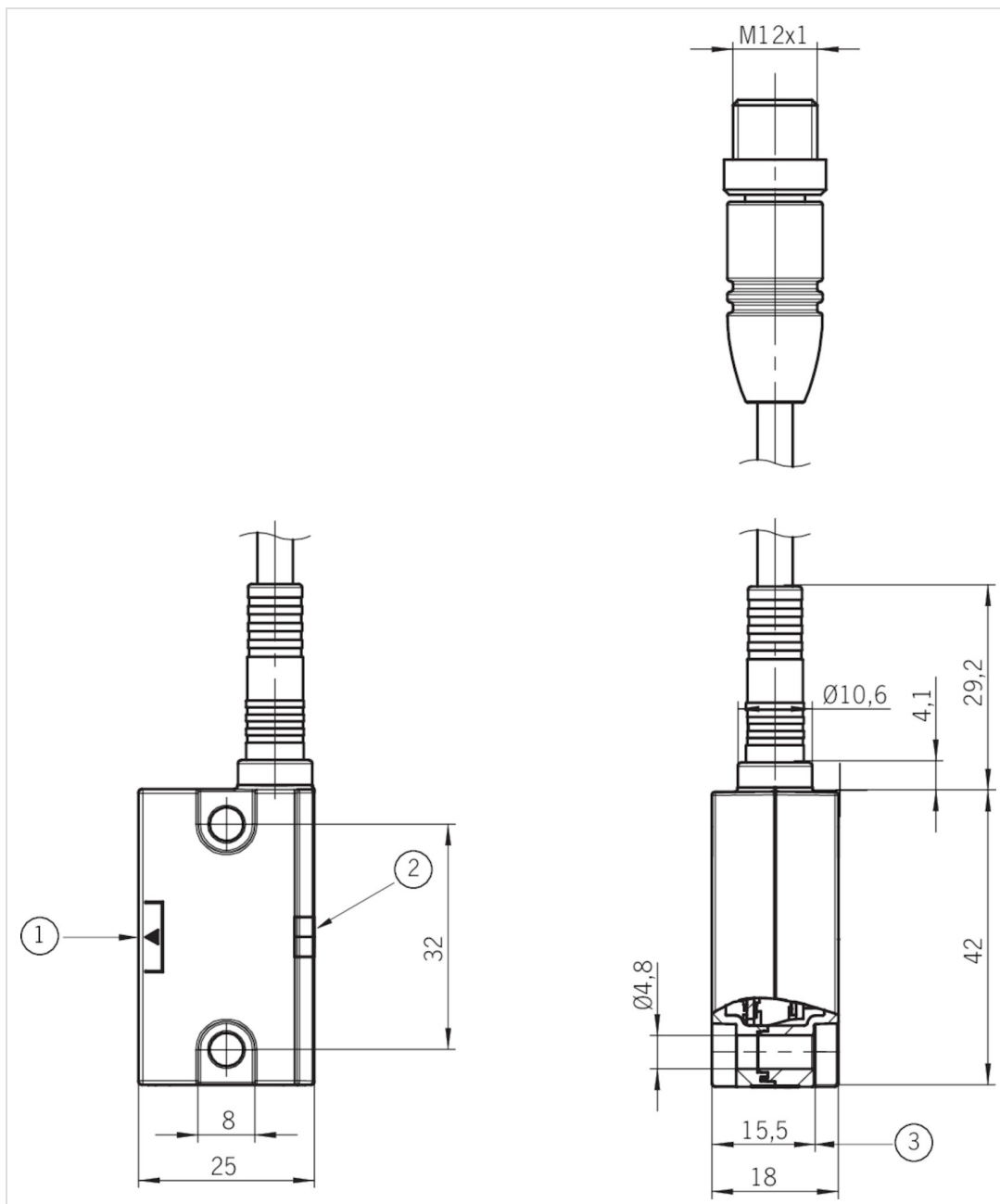
STATE Status LED

DIA Diagnostic LED

Connector assignment

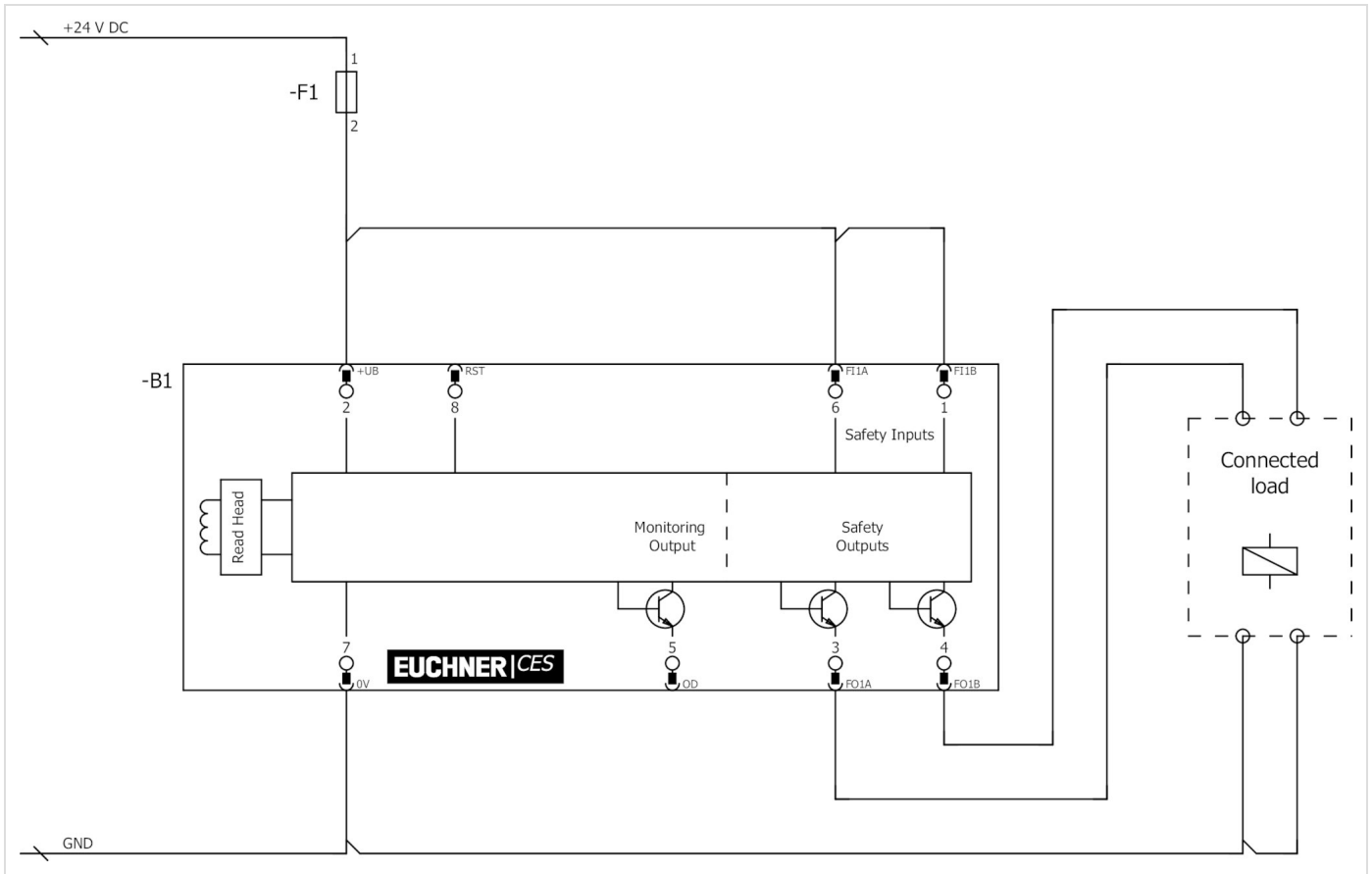
Plug connector (view of connection side)	Pin	Designation	Function	Conductor coloring of connecting cable
	1	FI1B	Enable input for channel 2	WH
	2	UB	Power supply, DC 24 V	BN
	3	F01A	Safety output, channel 1	GN
	4	F01B	Safety output, channel 2	YE
	5	OD	Monitoring output	GY
	6	FI1A	Enable input for channel 1	PK
	7	0V	Ground, DC 0 V	BU
	8	RST	Reset input	RD

Dimension drawing



- 1 Active face
- 2 LED status indication
- 3 With rubber support

Wiring diagram



Technical data

Approvals



Mechanical values and environment

Cable ambient temperature (dynamic)	-25 ... 65 °C
Cable ambient temperature (static)	-25 ... 65 °C
Shock and vibration resistance	In acc. with EN 60947-5-3
Dynamic bending radius	10 x cable diameter
Static bending radius	5 x cable diameter
Material	
	Rubber support NBR 80 ±5 Shore
Housing material	
	Housing Plastic, PBT
Weight	
	Net 0,08 kg
Degree of protection	IP67
Mounting method	Surface mounting on metal
Mounting distance	
	Between 2 switches or 2 actuators min.80 mm
Installation orientation	Any
Tightening torque	
	Fixing screws max.0,8 Nm
Ready delay	10 s
Switching frequency	max.1 Hz
Connection	Connection cable PUR, length 1m with plug connector M12 8-pin

Electrical connection ratings

Extension of risk time according to EN 60947-5-3 per device	max.5 ms
Operating voltage DC	
	U_B 24 V DC 15% ... 15% Regulated, residual ripple < 5%, PELV
Current consumption	max.35 mA (Without taking into account the load currents on the monitoring output and the safety outputs)
Fusing	
External (operating voltage)	0,25 ... 8 A
Rated insulation voltage U_i	300 V
Rated impulse withstand voltage U_{imp}	1,5 kV
EMC protection requirements	In acc. with EN IEC 60947-5-3
Degree of contamination (external, according to EN 60947-1)	3
Turn-on time	
Safety outputs	max.400 ms
Safety class	III
Risk time according to EN 60947-5-3	
Single device	max.260 ms
Monitoring output OD	
Type of output	Semiconductor output, p-switching, short circuit-proof
Switching current	max.50 mA
Output voltage	0,8 x U_B ... U_B V DC
Safety outputs FO1A / FO1B	
Test pulses	max.1,0 ms (Applies for a load with $C \leq 30nF$ and $R \leq 20k\Omega$)
Test-pulse interval	min.140 ms
Type of output	Semiconductor outputs, p-switching, short circuit-proof
Switching current	per safety output 1 ... 200 mA
Output voltage	
HIGH $U(FO1A) / U(FO1B)$	$U_B - 1,5V$... U_B V DC (Values at a switching current of 50 mA without taking into account the cable lengths.)
LOW $U(FO1A) / U(FO1B)$	0 ... 1 V DC
Utilization category acc. to EN 60947-5-2	
DC-13	24V 200mA (Caution: outputs must be protected with a free-wheeling diode in case of inductive loads.)
Rated conditional short-circuit current	100 A
Off-state current I_r	max.0,25 mA
Discrepancy time	max.10 ms
Work area	
Repeat accuracy R	
According to EN 60947-5-2	≤ 10

Other

Additional feature	Rubber support included
For the approval acc. to UL the following applies	Operation only with UL class 2 power supply, or equivalent measures

Reliability values according to EN ISO 13849-1

	Monitoring of the safety guard position
Category	4
Performance Level	PL e
PFH _D	4.1 x 10 ⁻⁹
Mission time	20

In combination with Actuator CES-A-BBN-C04-115271, CES-A-BBN-C04-EX-137527

Actuating range

Operating distance	
Installation position C or D (broad side)	11 mm
Installation position A or B (front side)	15 mm
Assured release distance S _{ar}	
In y direction	max.60 mm
In x/z direction	max.40 mm
Assured operating distance S _{ao}	
Installation position C or D (broad side)	6
Installation position A or B (front side)	10
Switching hysteresis	min.1 mm

In combination with Actuator CES-A-BDN-06-104730

Actuating range

Operating distance	
Installation position A or B (front side)	19 mm
Installation position C or D (broad side)	15 mm
Assured release distance S _{ar}	
In y direction	max.60 mm
In x/z direction	max.40 mm
Assured operating distance S _{ao}	
Installation position C or D (broad side)	min.10 mm
Installation position A or B (front side)	min.14 mm
Switching hysteresis	min.1 mm

In combination with Actuator CES-A-BDN-06-161742

Actuating range

Operating distance

Installation position C	23 mm
Installation position A	26 mm
Assured release distance S_{ar}	
Installation position A	max.77 mm
Installation position C	max.72 mm
Assured operating distance S_{ao}	
Installation position A	min.16 mm
Installation position C	min.10 mm
Switching hysteresis	min.1 mm

In combination with Actuator CES-A-BBN-161502

Actuating range

Operating distance

Installation position A + B	30 mm
Installation position C + D	25 mm
Assured release distance S_{ar}	
in x-/z direction / installation position C + D	max.63 mm
in y direction / installation position C + D	max.72 mm
in x/z direction / installation position A + B	max.69 mm
in y direction / installation position A + B	max.77 mm
Assured operating distance S_{ao}	
Installation position A + B	min.15 mm
Installation position C + D	min.10 mm
Switching hysteresis	
Installation position A + B	min.1 mm
Installation position C + D	min.1 mm

Accessories

Actuator

Actuator CES-A-BBN-C04



115271
CES-A-BBN-C04-115271

- ▶ Cube-shaped design 42 x 25 mm
- ▶ Two safety screws M4x20 and rubber support included



161502
CES-A-BBN-161502

- ▶ Cube-shaped design 42 x 25 mm, height 12 mm
- ▶ Transponder with large actuating range
- ▶ Mounting compatible with actuators: CES-A-BBA-071840, CES-BBN-106600, CES-A-BBN-C04-115271
- ▶ Two safety screws M4x14 included

Actuator CES-A-BDN-06



104730
CES-A-BDN-06-104730

- ▶ Cylindrical design Ø 6x26 mm
- ▶ Transponder coded, high coding level



161742
CES-A-BDN-06-161742

- ▶ Cylindrical design, Ø 6x38 mm
- ▶ Transponder coded, high coding level
- ▶ Large actuating range

Bolt

Bolt BTC-CES04-S-TH-20-X-121646 for safety switch CES04



121646
BTC-CES04-S-TH-20-X-121646

- ▶ Aluminum bolt
- ▶ For doors hinged on the left or right
- ▶ Spring catch in closed position
- ▶ Can be locked in open position with padlocks

Bolt BTC-CES04-S-TH-21-F-123583 for safety switch CES04



123583
BTC-CES04-S-TH-21-F-123583

- ▶ Aluminum bolt
- ▶ For doors hinged on the left or right
- ▶ Escape release
- ▶ Detent knob in open position
- ▶ Spring catch in closed position
- ▶ Can be locked in open position with padlocks

Connection material

Bridging plug M12



097645
AC-SP-SJ-097645

- ▶ Strapping plug
- ▶ M12 male plug, 4-pin

Connecting cable with straight plug connector M12, 5-pin, 50 m



156064
C-M12F05-05X034PV50,0-MA-156064

- ▶ M12 female plug, 5-pin
- ▶ Straight plug connector
- ▶ PVC cable
- ▶ Cable length 50 m
- ▶ With flying lead

Connecting cable with two plug connectors M12, 5-pin, 1 m, AIDA standard



159362
C-M12F05-05X034PU01,0-M12M05-159362

- ▶ M12 female plug to M12 plug connector, 5-pin
- ▶ Straight female plug and plug connector
- ▶ Connecting cable according to AIDA standard
- ▶ PUR cable, sheath color yellow
- ▶ Cable length 1 m

Connecting cable with two plug connectors M12, 5-pin, 1.5m, AIDA standard



159363
C-M12F05-05X034PU01,5-M12M05-159363

- ▶ M12 female plug to M12 plug connector, 5-pin
- ▶ Straight female plug and plug connector
- ▶ Connecting cable according to AIDA standard
- ▶ PUR cable, sheath color yellow
- ▶ Cable length 1.5 m

Connecting cable with two plug connectors M12, 5-pin, 3m, AIDA standard



159364
C-M12F05-05X034PU03,0-M12M05-159364

- ▶ M12 female plug to M12 plug connector, 5-pin
- ▶ Straight female plug and plug connector
- ▶ Connecting cable according to AIDA standard
- ▶ PUR cable, sheath color yellow
- ▶ Cable length 3 m

Connecting cable with two plug connectors M12, 5-pin, 5m, AIDA standard



159365
C-M12F05-05X034PU05,0-M12M05-159365

- ▶ M12 female plug to M12 plug connector, 5-pin
- ▶ Straight female plug and plug connector
- ▶ Connecting cable according to AIDA standard
- ▶ PUR cable, sheath color yellow
- ▶ Cable length 5 m

Connecting cable with two plug connectors M12, 5-pin, 8m, AIDA standard



159919
C-M12F05-05X034PU08,0-M12M05-159919

- ▶ M12 female plug to M12 plug connector, 5-pin
- ▶ Straight female plug and plug connector
- ▶ Connecting cable according to AIDA standard
- ▶ PUR cable, sheath color yellow
- ▶ Cable length 8 m

Connecting cable with two plug connectors M12, 5-pin, 10m, AIDA standard



159920
C-M12F05-05X034PU10,0-M12M05-159920

- ▶ M12 female plug to M12 plug connector, 5-pin
- ▶ Straight female plug and plug connector
- ▶ Connecting cable according to AIDA standard
- ▶ PUR cable, sheath color yellow
- ▶ Cable length 10 m

Connecting cable with two plug connectors M12, 5-pin, 15m, AIDA standard



159921
C-M12F05-05X034PU15,0-M12M05-159921

- ▶ M12 female plug to M12 plug connector, 5-pin
- ▶ Straight female plug and plug connector
- ▶ Connecting cable according to AIDA standard
- ▶ PUR cable, sheath color yellow
- ▶ Cable length 15 m

Connecting cable with two plug connectors M12, 8-pin, 1 m



123430
C-M12M08-08X025PV01,0-M12F08-123430

- ▶ 8-pin M12 male plug, straight
- ▶ 8-pin M12 female connector, straight
- ▶ PVC cable
- ▶ Cable length 1 m

Connecting cable with two plug connectors M12, 8-pin, 2 m



123431
C-M12M08-08X025PV02,0-M12F08-123431

- ▶ 8-pin M12 male plug, straight
- ▶ 8-pin M12 female connector, straight
- ▶ PVC cable
- ▶ Cable length 2m

Connecting cable with two plug connectors M12, 8-pin, 5 m



123432
C-M12M08-08X025PV05,0-M12F08-123432

- ▶ 8-pin M12 male plug, straight
- ▶ 8-pin M12 female connector, straight
- ▶ PVC cable
- ▶ Cable length 5m

Connecting cable with two plug connectors M12, 8-pin, 10 m



123433
C-M12M08-08X025PV10,0-M12F08-123433

- ▶ 8-pin M12 male plug, straight
- ▶ 8-pin M12 female connector, straight
- ▶ PVC cable
- ▶ Cable length 10m

Connection cable with 2 plug connectors M12, 5-pin, 5m



100180
C-M12F05-05X034PV05,0-M12M05-100180

- ▶ M12 female plug to M12 plug connector, 5-pin
- ▶ Straight female plug and plug connector
- ▶ PVC cable
- ▶ Cable length 5 m



119932
C-M12F05-05X034PU05,0-M12M05-119932

- ▶ M12 female plug to M12 plug connector, 5-pin
- ▶ Straight female plug and plug connector
- ▶ PUR cable
- ▶ Cable length 5 m

Connection cable with 2 plug connectors M12, 5-pin, 10m



100181
C-M12F05-05X034PV10,0-M12M05-100181

- ▶ M12 female plug to M12 plug connector, 5-pin
- ▶ Straight female plug and plug connector
- ▶ PVC cable
- ▶ Cable length 10 m



119947
C-M12F05-05X034PU10,0-M12M05-119947

- ▶ M12 female plug to M12 plug connector, 5-pin
- ▶ Straight female plug and plug connector
- ▶ PUR cable
- ▶ Cable length 10 m

Connection cable with 2 plug connectors M12, 5-pin, 20m



100182
C-M12F05-05X034PV20,0-M12M05-100182

- ▶ M12 female plug to M12 plug connector, 5-pin
- ▶ Straight female plug and plug connector
- ▶ PVC cable
- ▶ Cable length 20 m



119971
C-M12F05-05X034PU20,0-M12M05-119971

- ▶ M12 female plug to M12 plug connector, 5-pin
- ▶ Straight female plug and plug connector
- ▶ PUR cable
- ▶ Cable length 20 m

Connection cable with plug connector M12, 8-pin, 5m



115112
C-M12F08-08X025PU05,0-MA-115112

- ▶ M12 female plug, 8-pin
- ▶ Straight plug connector
- ▶ PUR cable
- ▶ Cable length 5 m
- ▶ With flying lead



100177
C-M12F08-08X025PV05,0-MA-100177

- ▶ M12 female plug, 8-pin
- ▶ Straight plug connector
- ▶ PVC cable
- ▶ Cable length 5 m
- ▶ With flying lead

Connection cable with plug connector M12, 8-pin, 10m



115113
C-M12F08-08X025PU10,0-MA-115113

- ▶ M12 female plug, 8-pin
- ▶ Straight plug connector
- ▶ PUR cable
- ▶ Cable length 10 m
- ▶ With flying lead



100178
C-M12F08-08X025PV10,0-MA-100178

- ▶ M12 female plug, 8-pin
- ▶ Straight plug connector
- ▶ PVC cable
- ▶ Cable length 10 m
- ▶ With flying lead

Connection cable with plug connector M12, 8-pin, 20m



115114
C-M12F08-08X025PU20,0-MA-115114

- ▶ M12 female plug, 8-pin
- ▶ Straight plug connector
- ▶ PUR cable
- ▶ Cable length 20 m
- ▶ With flying lead

Connection cable with plug connector M12, 8-pin, 20m

Connection cable with plug connector M12, 8-pin, 30m



115257
C-M12F08-08X025PU30,0-MA-115257

- ▶ M12 female plug, 8-pin
- ▶ Straight plug connector
- ▶ PUR cable
- ▶ Cable length 30 m
- ▶ With flying lead



115116
C-M12F08-08X025PV30,0-MA-115116

- ▶ M12 female plug, 8-pin
- ▶ Straight plug connector
- ▶ PVC cable
- ▶ Cable length 30 m
- ▶ With flying lead

Connection cable with straight plug connector M12, 5-pin, 5m



100183
C-M12F05-05X034PV05,0-MA-100183

- ▶ M12 female plug, 5-pin
- ▶ Straight plug connector
- ▶ PVC cable
- ▶ Cable length 5 m
- ▶ With flying lead

Connection cable with straight plug connector M12, 5-pin, 10m



100184
C-M12F05-05X034PV10,0-MA-100184

- ▶ M12 female plug, 5-pin
- ▶ Straight plug connector
- ▶ PVC cable
- ▶ Cable length 10 m
- ▶ With flying lead

Connection cable with straight plug connector M12, 5-pin, 20 m



100185
C-M12F05-05X034PV20,0-MA-100185

- ▶ M12 female plug, 5-pin
- ▶ Straight plug connector
- ▶ PVC cable
- ▶ Cable length 20 m
- ▶ With flying lead

Passive distribution module



120861
AC-DP-04-SA-120861

- ▶ Connection of up to 4 CES-AR, CET-AR, CTP-AR and ESL-AR
- ▶ LEDs for the indication of the door position on each port
- ▶ Can be connected in series

Y-distributor M12 with connecting cable, without IO-Link evaluation



112395
AC-YD-V1,0-SBB-112395

- ▶ For series connection of AR/BR safety switches in switch chains without IO-Link evaluation
- ▶ Y-distributor M12 with connecting cable, 2 x 5-pin, 1 x 8-pin
- ▶ Straight plug connector
- ▶ PVC cable
- ▶ Cable length 1 m

Y-distributor M12 without IO-Link evaluation



097627
AC-YD-SBB-097627

- ▶ For series connection of AR/BR safety switches in switch chains without IO-Link



evaluation

- ▶ Y-distributor M12, 2 x 5-pin, 1 x 8-pin
- ▶ Straight plug connector

Function expansion

Housing protection ATEX



137528
AM-C-C04-EX-137528

- ▶ ATEX protective cover
- ▶ The housing guard is suitable for all CES-C04-AP/AR switches.
- ▶ The housing guard makes it possible to use safety switches CES-C04 in potentially explosive atmospheres.
- ▶ Protection of the switch and plug connector against possible impacts
- ▶ The safety switch is not included and must be ordered separately.
- ▶ When the PBT/PC plastic housing guard is used, the CES-C04 switches (with connecting cable or plug connector) comply with the relevant explosion-protection standards according to ATEX (zone 2/22).

Variable magnetic guard locking device CEM-C60 without permanent magnet, plug connector on left



163252
CEM-M2-C60-KZ-SE-163252

- ▶ Magnetic guard locking for process protection
- ▶ Locking force 650 N (without permanent magnet)
- ▶ With remanence
- ▶ Function expansion for safety switch CES-C04 / CES-C07
- ▶ Flexibility through a large selection of safety switches
- ▶ Maximum safety level PL e / category 4 for detection of the door position
- ▶ Transponder coding prevents high level of protection against tampering
- ▶ Simple connection of the solenoid using M12 plug connector, 5-pin
- ▶ Yellow LED to indicate voltage at the solenoid
- ▶ Nickel-plated solenoid surface with high corrosion resistance

Variable magnetic guard locking device CEM-C60 with permanent magnet, plug connector on left



161320
CEM-M2-C60-PZ-SE-161320

- ▶ Magnetic guard locking for process protection
- ▶ Guard locking solenoid with locking force of 650 N
- ▶ Function expansion for safety switch CES-C04 / CES-C07
- ▶ Flexibility through a large selection of safety switches
- ▶ Maximum safety level PL e / category 4 for detection of the door position
- ▶ Transponder coding prevents high level of protection against tampering
- ▶ Simple connection of the solenoid using M12 plug connector, 5-pin
- ▶ Yellow LED to indicate voltage at the solenoid
- ▶ Nickel-plated solenoid surface with high corrosion resistance
- ▶ Integrated permanent magnet, 30 N adhesive force

Mounting accessories

Mounting plate AM-SET-PP



119690
AM-SET-PP-119690

- ▶ Set consists of two mounting plates

Mounting set AM-SET-PPB



119694
AM-SET-PPB-119694

- ▶ Mounting plate
- ▶ angle mounting plate
- ▶ Spacer

Safety screws M4 x 20

116978
SICHERHEITSSCHRAUBE M4X20-
A2/V20

- ▶ Safety screws M4 x 20
- ▶ Packaging unit 20 pieces

Contacts

🏠 EUCHNER GmbH + Co. KG
Kohlhammerstraße 16
70771 Leinfelden-Echterdingen

☎ +49 711 7597-0

📠 +49 711 753316

✉ [info\(at\)euchner.de](mailto:info(at)euchner.de)